

ELECTRONIC THERMOSTAT LK 24-PT

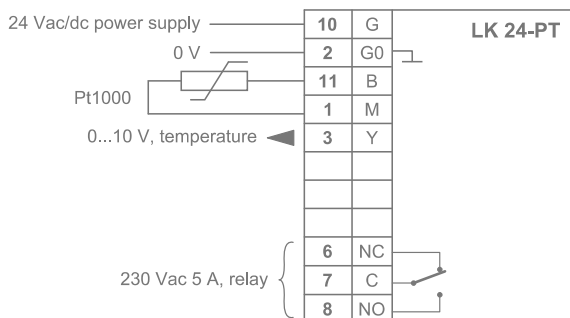
LK 24-PT is an electronic thermostat for controlling temperature. Sensor can be any Pt1000 sensor; e.g. room (TEHR PT 1000), duct (TEK PT 1000), water (TEAT PT 1000) or outdoor (TEU PT 1000) model.

The relay of the thermostat activates when the measured temperature drops below the set point and releases when the temperature exceeds the set point with hysteresis.

Up to 10 thermostats can be connected to one sensor. The coding switch S1 (inside the thermostat) must be removed from the thermostats that are connected in parallel with the master thermostat. Terminals 11 of the thermostats must be linked together.

0...10 Vdc signal is available at the terminal 3 for external temperature display, for example.

Wiring



Technical data:

supply	24 Vac/dc, 2 VA
sensor input	Pt1000
relay output	change over contact 230 V, 5 A res
set point setting	- 30...+ 30 °C
hysteresis	0.2...5 °C
housing	IP20
temperature output	0...10 V = -30...+30 °C
dimensions (w x h x d)	35 x 79 x 95 mm

Ordering guide:

Type	Product number	Description
LK 24-PT	1120050	electronic thermostat, range -30...+30 °C

Products fulfil the requirements of directives 73/23/EEC and 2004/108/EU and are in accordance with the standards EN60669, EN61000-6-3: 2001 (Emission) and EN61000-6-2: 2001 (Immunity).